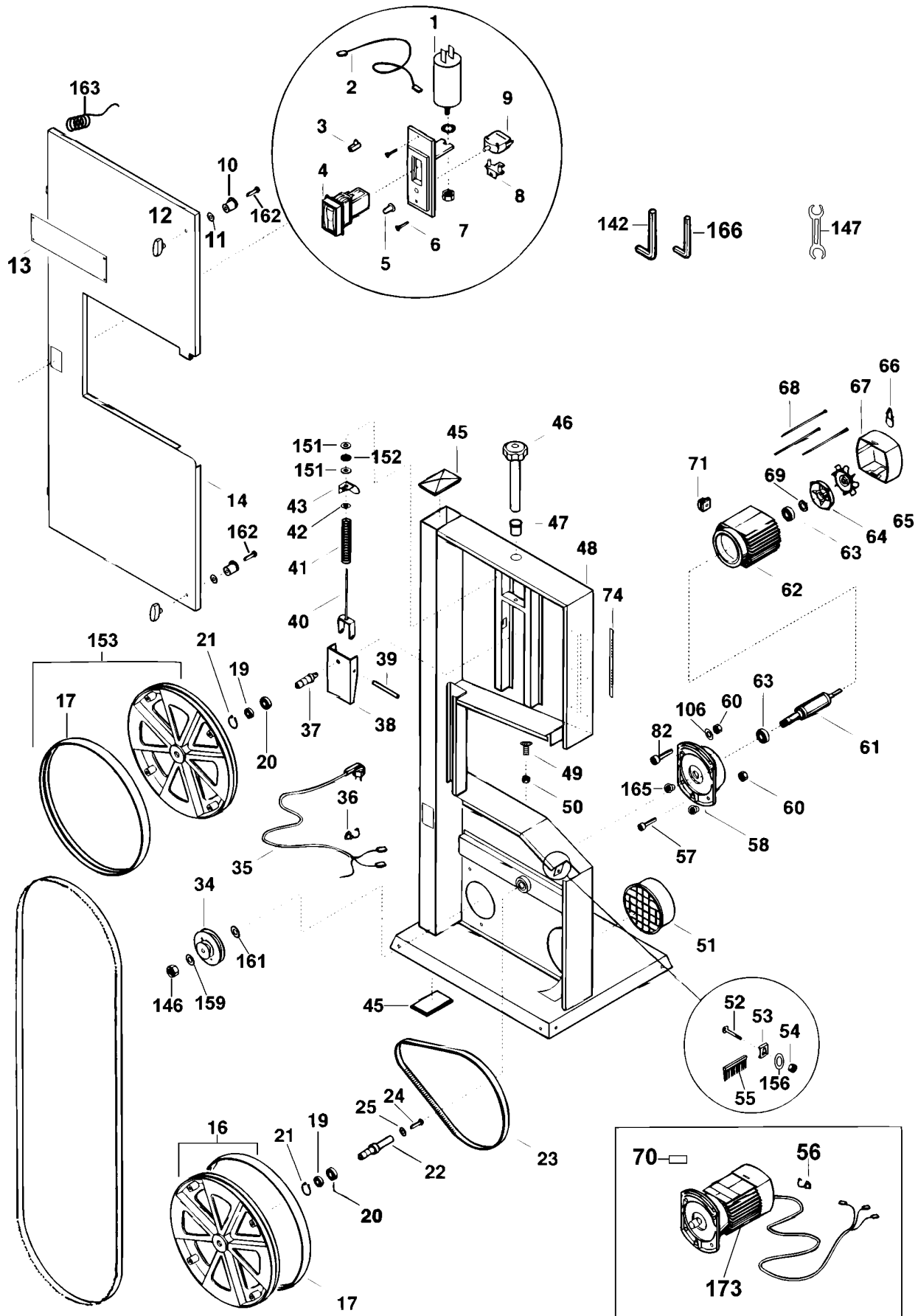
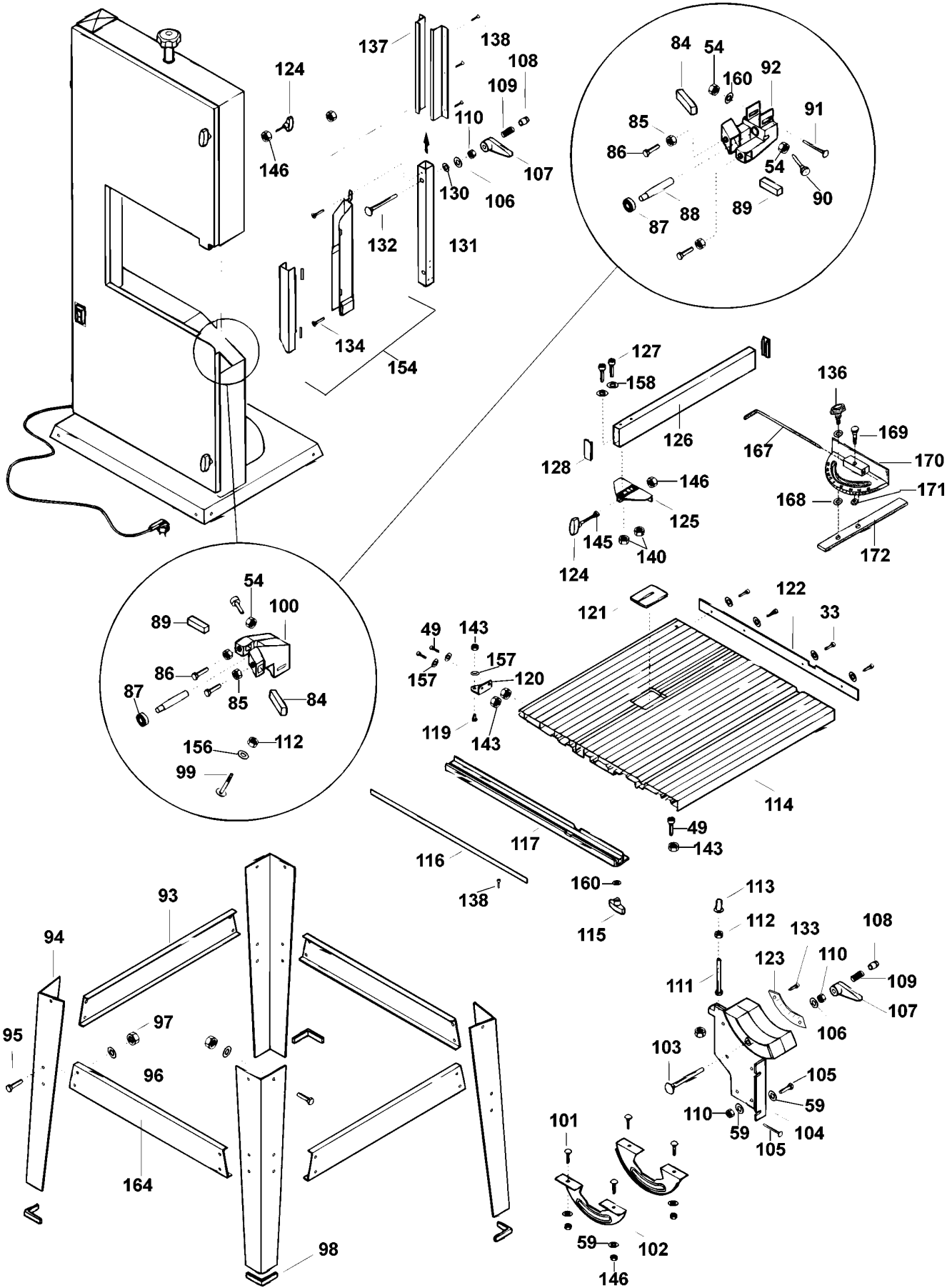


# DW876 Main unit BANDSAW 1



# DW876 Table support BANDSAW 1



## Parts List DW876 BANDSAW 1

Item	Part Number	Qty	Part Description	General Description	Other Info	Repair Inst	Markets
1	861429-07	1	CAPACITOR			No	QS
2	861430-00	1	LEAD			No	QS
3	861257-00	1	CONNECTOR			No	QS
4	861385-09	1	SWITCH			No	QS
5	863118-00	1	CAP			No	QS
6	860428-06	1	SCREW			No	QS
7	861424-00	1	SWITCH SUPPORT			No	QS
8	863151-00	1	BRACKET			No	QS
9	863124-15	1	MICRO SWITCH			No	QS
10	861399-00	1	BUSH			No	QS
11	860073-08	4	WASHER			No	QS
12	861365-01	2	KNOB			No	QS
13	861498-02	1	BRAND LABEL			No	QS
14	861397-01	1	COVER			No	QS
16	861487-90	1	WHEEL			No	QS
17	861411-00	1	RUBBER STRIP			No	QS
19	861721-02	2	BEARING			No	QS
20	861721-04	2	BEARING			No	QS
21	861471-00	2	RING			No	QS
22	861470-00	1	SHAFT			No	QS
23	N230397	1	BELT			No	QS
24	860085-04	1	SCREW			No	QS
25	861483-00	1	WASHER			No	QS
34	862185-02	1	PULLEY			No	QS
35	861432-02	1	CABLE SA			No	QS
36	861433-00	1	INLET			No	QS
37	861469-00	1	SHAFT			No	QS
38	861402-00	1	BRACKET			No	QS
39	861473-00	1	PIN			No	QS
40	861401-00	1	TENSION BLOCK			No	QS
41	861474-00	1	SPRING			No	QS
42	941602-00	1	WASHER			No	QS

## Parts List DW876 BANDSAW 1

Item	Part Number	Qty	Part Description	General Description	Other Info	Repair Inst	Markets
43	861403-00	1	POINTER			No	QS
45	861398-00	1	CAP			No	QS
46	861400-00	1	KNOB SA			No	QS
47	861449-00	1	BUSH			No	QS
48	861395-02	1	FRAME SA			No	QS
49	860085-09	1	SCREW.TEMP			No	QS
50	860083-12	1	NUT M6			No	QS
51	861428-01	1	DUST EXTRACTOR			No	QS
52	860301-16	1	SCREW			No	QS
53	861427-00	1	BRACKET			No	QS
54	860083-12	1	NUT M6			No	QS
55	863378-00	1	BRUSH			No	QS
56	33821-00	1	BUSHING			No	QS
57	860086-03	1	SCREW			No	QS
58	862211-02	1	HOUSING FRONT			No	QS
59	860073-03	1	WASHER M8			No	QS
60	860092-01	1	NUT			No	QS
61	868519-00	1	ROTOR			No	QS
62	868556-00	1	STATOR			No	QS
63	861721-01	1	BEARING			No	QS
65	860444-00	1	FAN			No	QS
66	863112-00	1	CAP			No	QS
67	860445-00	1	COVER			No	QS
68	863015-00	1	TIE ROD			No	QS
69	860080-02	1	RING			No	QS
70	861488-01	1	NAMEPLATE			No	QS
82	860301-01	1	SCREW			No	QS
84	861450-01	1	BLOCK			No	QS
85	860083-10	1	NUT			No	QS
86	860093-25	4	SCREW			No	QS
87	861721-05	1	BEARING			No	QS
88	863795-00	1	PIN			No	QS

## Parts List DW876 BANDSAW 1

Item	Part Number	Qty	Part Description	General Description	Other Info	Repair Inst	Markets
89	861450-00	1	BLOCK			No	QS
90	326573-01	1	SCREW WING			No	QS
91	931997-00	1	SCREW			No	QS
92	861408-00	1	GUIDE BLOCK			No	QS
93	861426-03	2	CROSS BRACE			No	QS
94	861425-01	4	LEG			No	QS
95	860085-07	24	SCREW			No	QS
96	860075-00	24	WASHER			No	QS
97	860083-12	24	NUT M6			No	QS
98	862419-00	4	FEET			No	QS
99	860301-16	1	SCREW			No	QS
100	861409-00	1	GUIDE BLOCK			No	QS
101	949891-01	1	SCREW.TEMP			No	QS
102	861414-00	1	GUIDE SUPPORT			No	QS
103	861484-00	1	SCREW			No	QS
104	861413-00	1	TABLE SUPPORT			No	QS
105	860085-03	1	BOLT			No	QS
106	860073-03	1	WASHER M8			No	QS
107	863320-00	1	LEVER			No	QS
108	863073-00	1	CAP			No	QS
109	760483-00	1	SPRING			No	QS
110	860083-14	1	NUT			No	QS
111	941959-00	1	BOLT			No	QS
112	860083-12	1	NUT M6			No	QS
113	860760-00	1	CAP			No	QS
114	861415-00	1	TABLE			No	QS
115	861464-00	1	KNOB			No	QS
116	861419-00	1	SCALE			No	QS
117	861417-00	1	GUIDE			No	QS
119	861494-00	1	BOLT			No	QS
120	861420-00	1	BRACKET			No	QS
121	861416-00	1	TABLE INSERT			No	QS

## Parts List DW876 BANDSAW 1

Item	Part Number	Qty	Part Description	General Description	Other Info	Repair Inst	Markets
122	861418-00	1	PLATE			No	QS
123	861740-00	1	SCALE			No	QS
124	861452-00	1	KNOB			No	QS
125	861421-01	1	SUPPORT			No	QS
126	861422-00	1	FENCE			No	QS
127	949886-11	1	SCREW			No	QS
128	861423-00	1	END CAP			No	QS
130	861477-00	1	WASHER			No	QS
131	861405-00	1	GUIDE SUPPORT			No	QS
132	861478-00	1	SCREW			No	QS
133	860094-02	2	SCREW			No	QS
134	860084-05	1	SCREW			No	QS
136	861452-01	1	KNOB			No	QS
137	861406-00	1	GUIDE			No	QS
138	860084-20	1	SCREW			No	QS
140	860083-13	1	NUT			No	QS
142	930574-00	1	HEX KEY 5 MM			No	QS
143	860083-13	1	NUT			No	QS
145	861453-00	1	SPACER			No	QS
146	860083-04	1	NUT			No	QS
147	949751-07	1	SPANNER 10-13MM			No	QS
148	860428-04	1	SCREW			No	QS
151	941602-00	1	WASHER			No	QS
152	861475-00	1	BEARING			No	QS
153	861486-00	1	WHEEL SA			No	QS
154	861479-00	1	GUARD SA			No	QS
156	720959-00	1	WASHER			No	QS
157	860073-07	1	WASHER M6			No	QS
158	860073-14	1	WASHER			No	QS
159	860074-03	1	WASHER			No	QS
160	860075-00	1	WASHER			No	QS
161	860076-03	1	WASHER			No	QS

## Parts List DW876 BANDSAW 1

Item	Part Number	Qty	Part Description	General Description	Other Info	Repair Inst	Markets
162	860084-22	1	SCREW			No	QS
163	861508-00	1	SPRING			No	QS
164	861426-00	2	CROSS BRACE			No	QS
165	760298-01	1	INSERT			No	QS
166	938539-00	1	KEY			No	QS
167	863844-00	1	GAUGE			No	QS
168	949876-06	2	WASHER			No	QS
169	863851-00	1	SCREW			No	QS
170	862007-01	1	PLATE			No	QS
171	860083-03	1	NUT			No	QS
172	863803-00	1	BAR			No	QS
173	868572-00	1	MOTOR SA 1PH			No	QS